

SYSTEM 10 & RUSTIQUE – STYLE LIMITATIONS



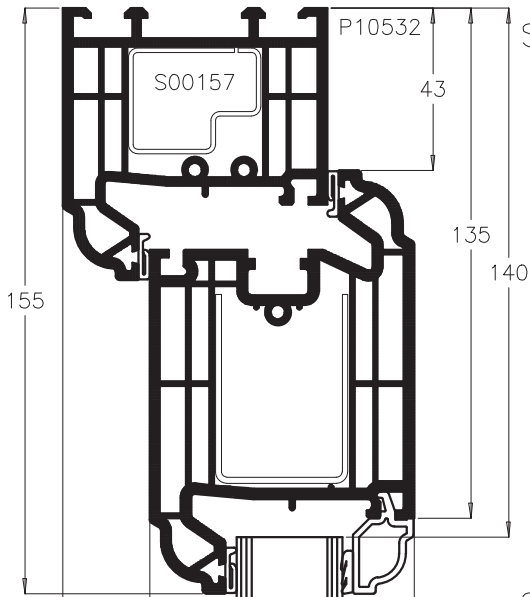
1. ALL STYLES ARE SHOWN AS VIEWED FROM THE OUTSIDE
2. THE HINGED SIDE OF THE LEAF IS DESIGNATED BY THE POINT OF CONTACT BETWEEN THE OUTERFRAME COMPONENT AND THE PINNACLE OF THE TRIANGLE DEPICTING THE LEAF.
3. IT IS ADVISABLE THAT ALL DOOR COMBINATION FRAMES ARE COUPLED WITH A00022 AND COVER P01040 OR BE FITTED WITH THE MULLION STRENGTHENER A41147 AND COVER P10175
4. THE MAXIMUM SIZES FOR COUPLED FRAMES HAVE BEEN CALCULATED USING S00157, S00158 OR S00174 TO REINFORCE THE OUTERFRAME JAMBS THAT FORM THE COUPLING.
5. THIS STYLE IS BASED ON A TRANSOM DROP OF 400mm FOR THE FIXED PANE ABOVE. AS A MINIMUM THE 95mm TRANSOM REINFORCED WITH S00158 MUST BE USED. THIS TRANSOM MUST BE FITTED WITH THE A41147 MULLION STRENGTHENER AND COVER P10175

DOOR STYLE	OUTERFRAME		OUTERFRAME		A00022		A41147		DESIGN WIND PRESSURE
	MINIMUM W	H	MAXIMUM W	H	MAXIMUM W	H	MAXIMUM W	H	
	800	1900	1150	2200					800 Pa
	800	1900	1150	2200					1200 Pa
	800	1900	1150	2200					1600 Pa
	800	1900	1150	2200					2000 Pa
	800	1900	1150	2200					2400 Pa
	800	2300	1150	2600					800 Pa
	800	2300	1150	2600					1200 Pa
	800	2300	1150	2600					1600 Pa
	800	2300	1150	2600					2000 Pa
	800	2300	1150	2600					2400 Pa
	1200	1900			2200	2200	2200	2200	800 Pa
	1200	1900			2200	2200	2200	2200	1200 Pa
	1200	1900			2200	2200	2200	2200	1600 Pa
	1200	1900			2200	2200	2200	2200	2000 Pa
	1200	1900			2200	2100	2200	2200	2400 Pa
FRENCH DOOR	1200	1900	2000	2200					800 Pa
	1200	1900	2000	2200					1200 Pa
	1200	1900	2000	2200					1600 Pa
	1200	1900	2000	2200					2000 Pa
	1200	1900	2000	2200					2400 Pa
FRENCH DOOR (SEE NOTE 5)	1200	2300	2000	2600					800 Pa
	1200	2300	2000	2600					1200 Pa
	1200	2300	2000	2600					1600 Pa
	1200	2300	2000	2600					2000 Pa
	1200	2300	2000	2600					2400 Pa
FRENCH DOOR	2000	1900			3000	2200	3000	2200	800 Pa
	2000	1900			3000	2200	3000	2200	1200 Pa
	2000	1900			3000	2200	3000	2200	1600 Pa
	2000	1900			3000	2200	3000	2200	2000 Pa
	2000	1900			3000	2200	3000	2200	2400 Pa

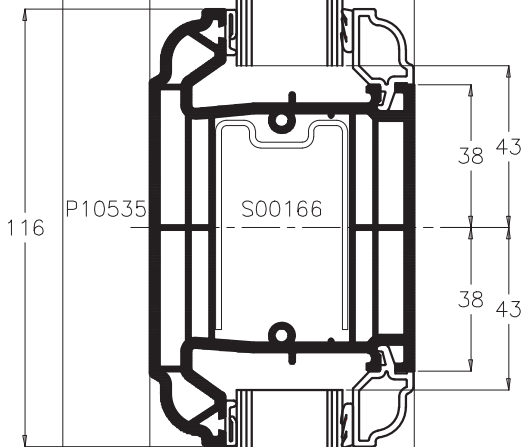
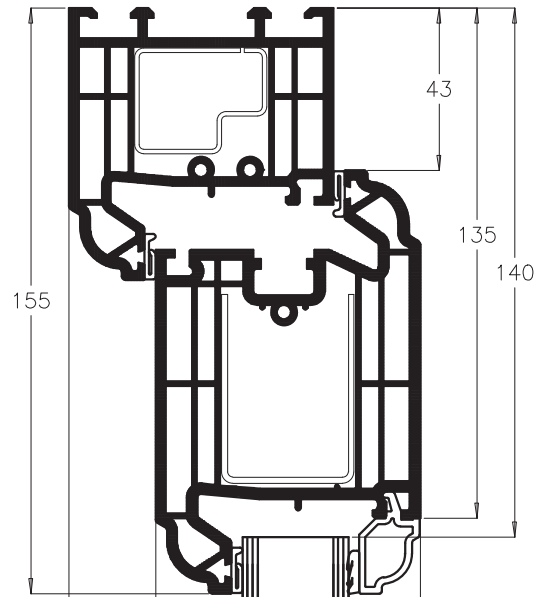
A00022 – IS USED WITH P10502 OR P10532 REINFORCED WITH S00157 OR S00174
 A41147 – IS USED WITH P10504 REINFORCED WITH S00157 OR S00157
 OR P10515, P10543, P10545 REINFORCED WITH S00158



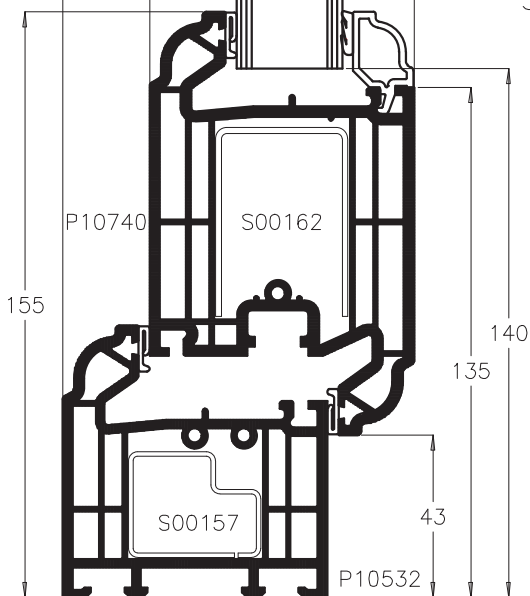
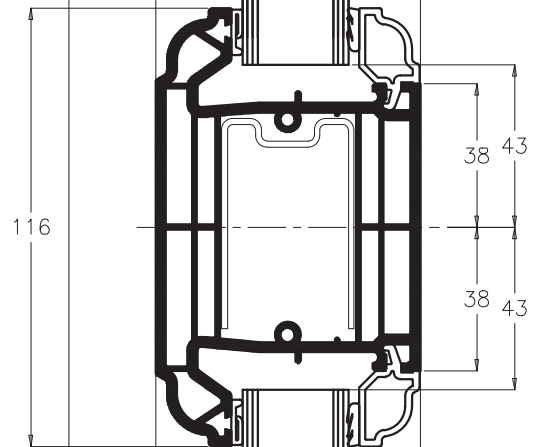
RUSTIQUE – OPEN IN
P10532 OUTER FRAME, P10531 & P10532 THRESHOLDS



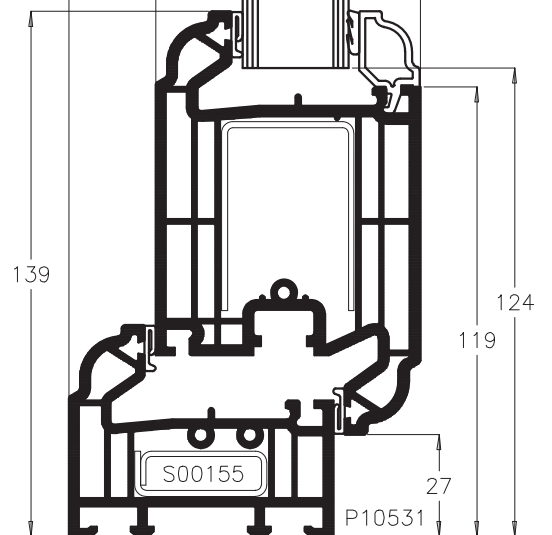
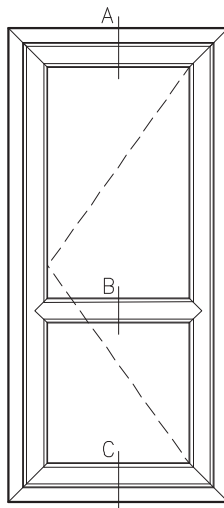
SECTION A



SECTION B

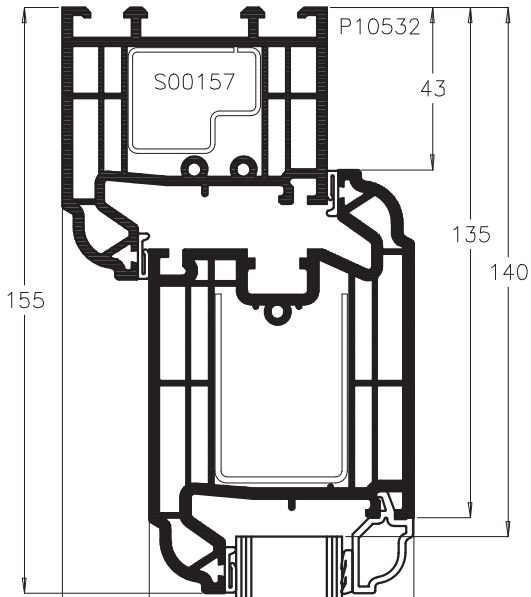


SECTION C

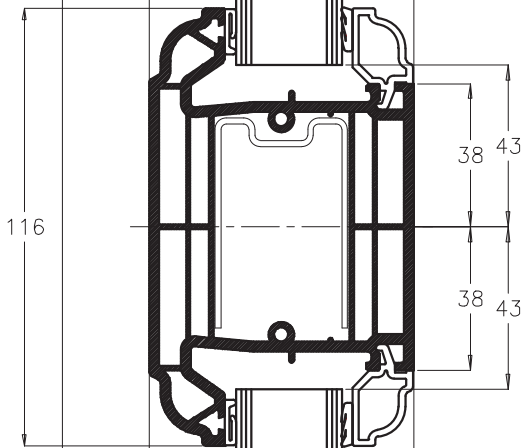
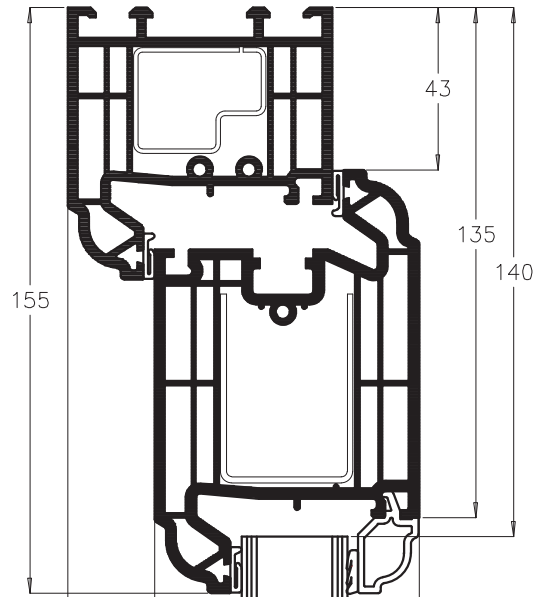




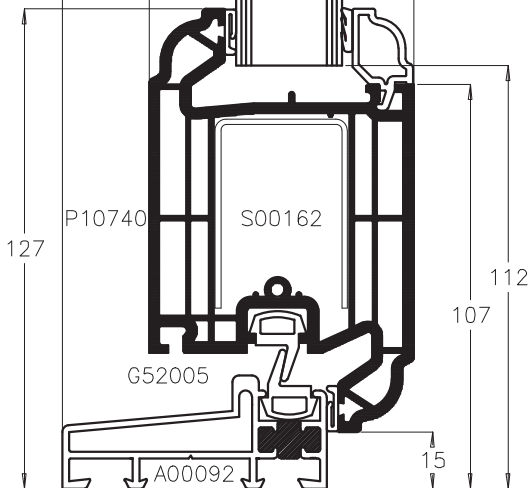
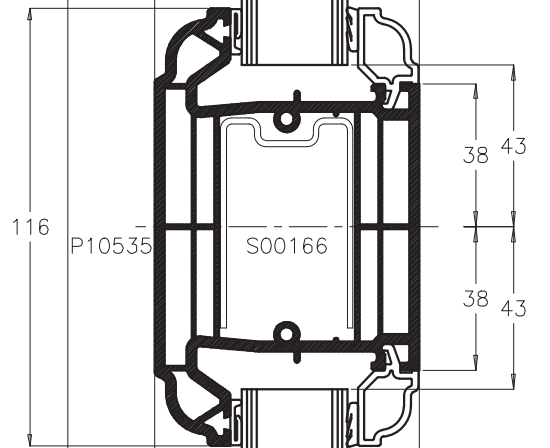
RUSTIQUE – OPEN IN
 P10532 OUTER FRAME, A00092 & A00333 LOW THRESHOLDS



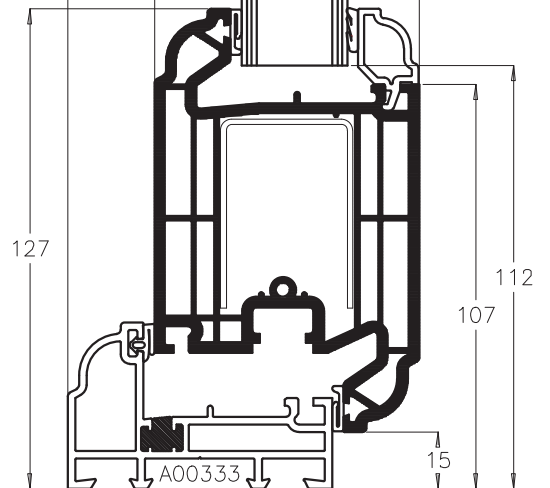
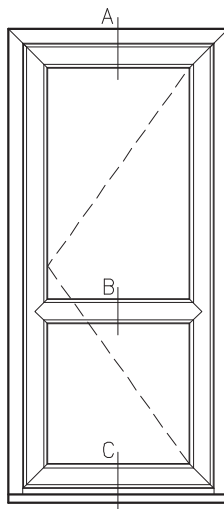
SECTION A



SECTION B

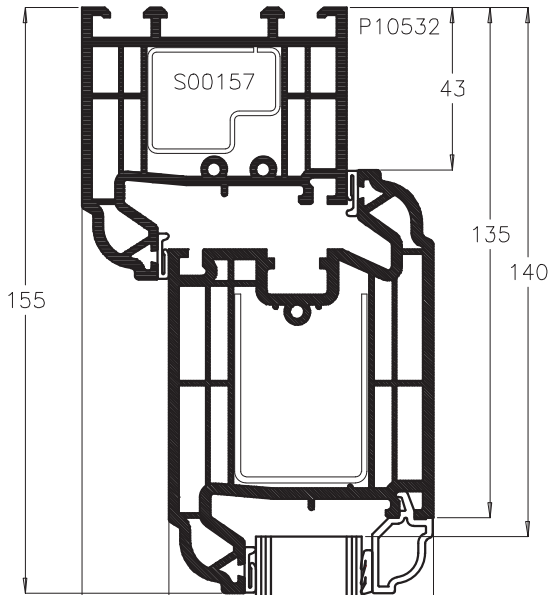


SECTION C

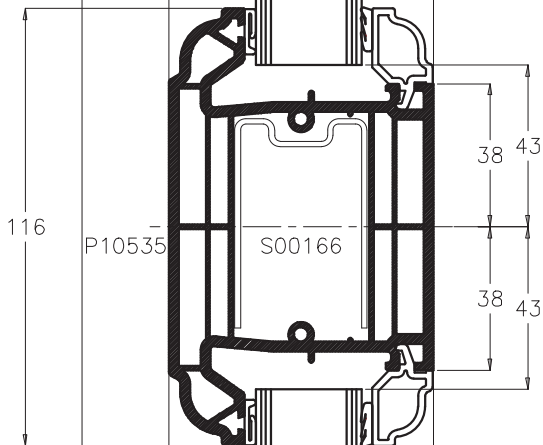




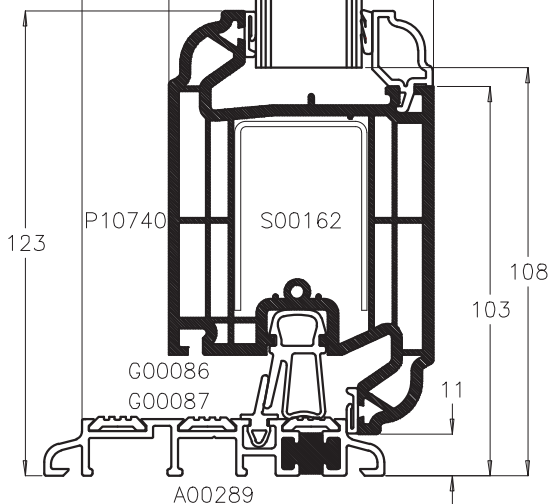
RUSTIQUE – OPEN IN
P10532 OUTER FRAME, A00289 PART M LOW THRESHOLD



SECTION A



SECTION B



SECTION C

