

56mm Outer Frame
Steel Box 713155 (S00155)
Steel Box 713187 (S00187)
Steel U Channel 713185 (S00185)
Thermal Insert 709331 (P10331)

72mm Outer Frame
Steel Box 713174 (S00174)
Steel Box 713191 (S00191)
Steel U Channel 713186 (S00186)
Steel P Section 713157 (S00157)
Thermal Insert 709332 (P10332)

84mm Outer Frame
Steel Box 713174 (S00174)
Steel Box 713191 (S00191)
Steel U Channel 713186 (S00186)
Steel P Section 713157 (S00157)
Thermal Insert 709332 (P10332)

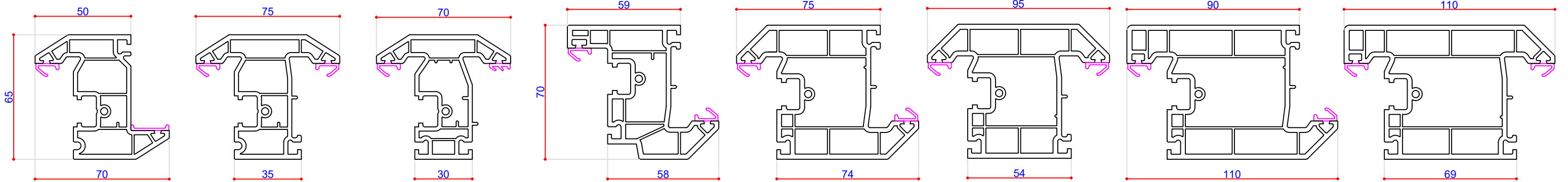
70mm T Transom
Steel Box 713187 (S00187)
Steel Box 713155 (S00155)
35 x 12.5 Ported Alu 715161

70mm Z Transom
Steel Box 713187 (S00187)
Steel Box 713155 (S00155)

95mm T Transom
Steel Box 713174 (S00174)
Steel Box 713191 (S00191)
Steel Box 713157 (S00157)

95mm Z Transom
Steel Box 713158 (S00158)

116mm Midrail
Steel U Channel 713166 (S00166)
35 x 58 Ported Alu 715163



Externally Beaded Sash
Steel P Section 713182 (S00182)

Internally Beaded Sash
Steel P Section 713182 (S00182)

Internally Beaded Sash/Transom
Steel P Section 713183 (S00183)
Steel P Section 713184 (S00184)
13 x 23 Ported Alu 715164

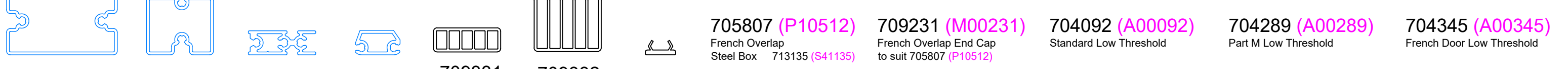
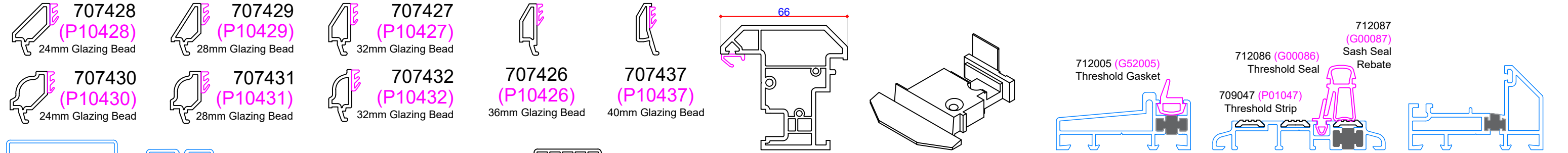
Tilt & Turn Sash
Steel L Section 713161 (S00161)

Slim Door Sash - Open In
Steel U Channel 713159 (S00159)
Punched Steel U 713160 (S00160)

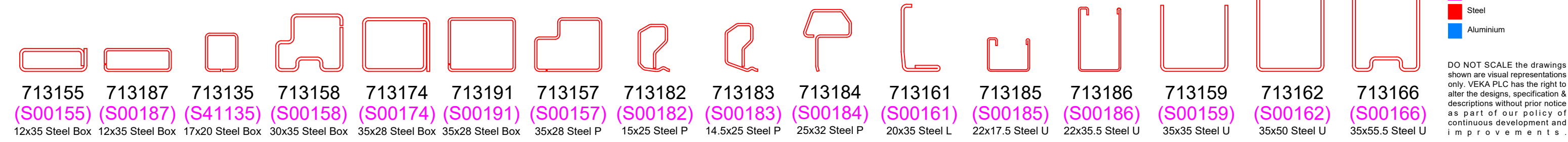
Slim Door Sash - Open Out
Steel U Channel 713159 (S00159)
Punched Steel U 713160 (S00160)
35 x 30 Ported Alu 715162

Door Sash - Open In
Steel U Channel 713162 (S00162)
Punched Steel U 713163 (S00163)

Door Sash - Open Out
Steel U Channel 713162 (S00162)
Punched Steel U 713163 (S00163)



715163 35 x 58 Ported Aluminium
715162 35 x 30 Ported Aluminium
715161 35 x 12.5 Ported Aluminium
715164 13 x 23 Ported Aluminium
709331 (P10331) Thermal Insert
709332 (P10332) Thermal Insert
109045 Eurogroove Infill



KEY:

- PVC Profile
- Gasket
- Steel
- Aluminium

DO NOT SCALE the drawings shown are visual representations only. VEKA PLC has the right to alter the designs, specification & descriptions without prior notice as part of our policy of continuous development and improvements.