

Features

Maximum sash sizes

Residential: 998mm (w) x 2103mm (h)
French Door: 998mm (w) x 2103mm (h)

Outer frame

65mm outer frame

Mullions

68mm or 82mm mullions
115mm midrail

Sash

80mm bevelled door sash

Finishes

Available in a large assortment of colours and woodgrain options from the Variations range and SPECTRAL*

Glazing beads

28mm bevelled
28mm sculptured
36mm bevelled
40mm bevelled
44mm bevelled

Ancillaries

Frame extensions and cills

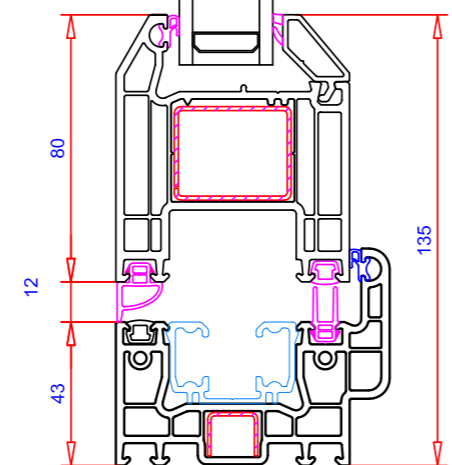
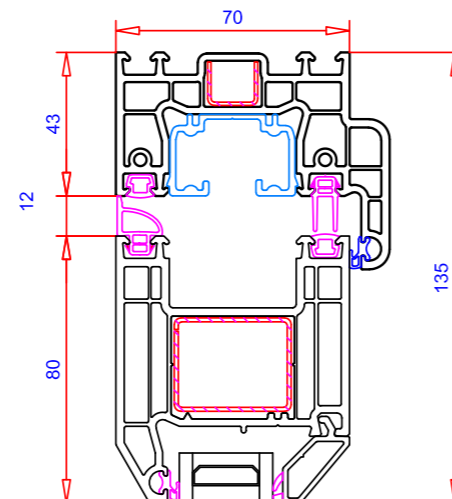
Thermal performance**

Achieves U-values as low as 1.2 W/m²K using double glazing
Achieves U-values as low as 0.88 W/m²K using triple glazing

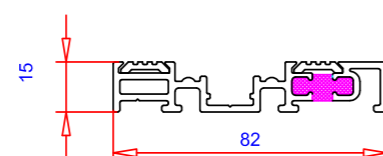
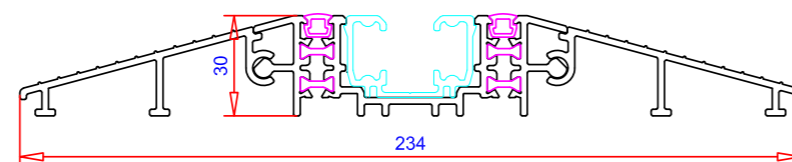
* SPECTRAL is only available on bevelled or flat surfaces.

** Figures can vary dependent on specification.

Technical Drawing



Low Threshold



Room Divider Threshold
NB: For internal use only



Imagine Flush Doors (bevelled) can be installed with transoms and mullions from the M70 system.

Test Results

Door type	Max sash sizes (wxh)	Air permeability	Water tightness	Resistance to wind	Exposure category
Individual leaf	998mm x 2103mm	Class 3	Class 3A	A3	1200

Features

Maximum sash sizes

Residential door: 998mm (w) x 2103mm (h)
 French door: 998mm (w) x 2103mm (h)

Outer frame

65mm outer frame

Sash

80mm sculptured door sash

Finishes

Available in a large assortment of colours and woodgrain options from the Variations range

Glazing beads

- 28mm bevelled
- 28mm sculptured
- 36mm bevelled
- 40mm bevelled
- 44mm bevelled

Ancillaries

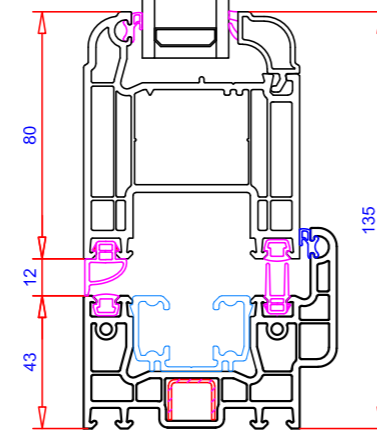
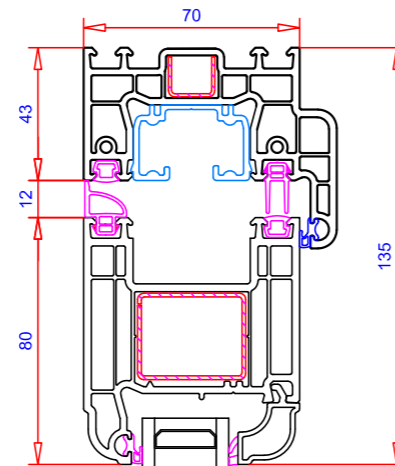
Frame extensions and cills

Thermal performance*

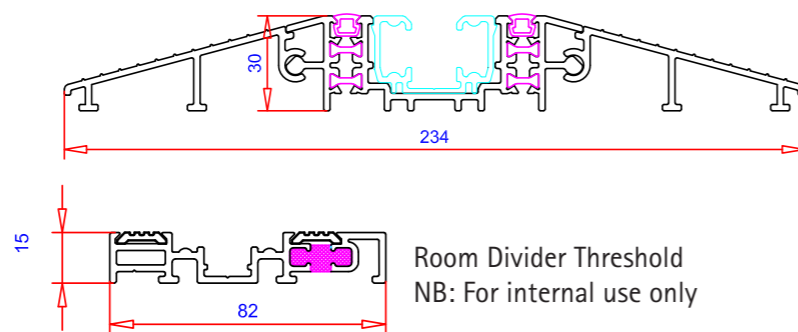
Achieves U-values as low as 1.2 W/m²K using double glazing
 Achieves U-values as low as 0.88 W/m²K using triple glazing

* Figures can vary dependent on specification.

Technical Drawing



Low Threshold



Test Results

Door type	Max sash sizes (wxh)	Air permeability	Water tightness	Resistance to wind	Exposure category
Individual leaf	998mm x 2103mm	Class 3	Class 3A	A3	1200