



Features

Maximum sash sizes

Top hung: 1400mm (w) x 1400mm (h)
Side hung: 800mm (w) x 1550mm (h)
Fixed light: 3000mm (w) x 3000mm (h)

Outer frames

56mm, 72mm and 84mm outer frames

Mullions

70mm or 95mm mullions

Sash

76mm casement sash

Finishes

Available in a large assortment of colours and woodgrain options from the Variations range

Glazing beads

24mm sculptured
28mm sculptured
32mm sculptured
36mm bevelled
40mm bevelled

Ancillaries

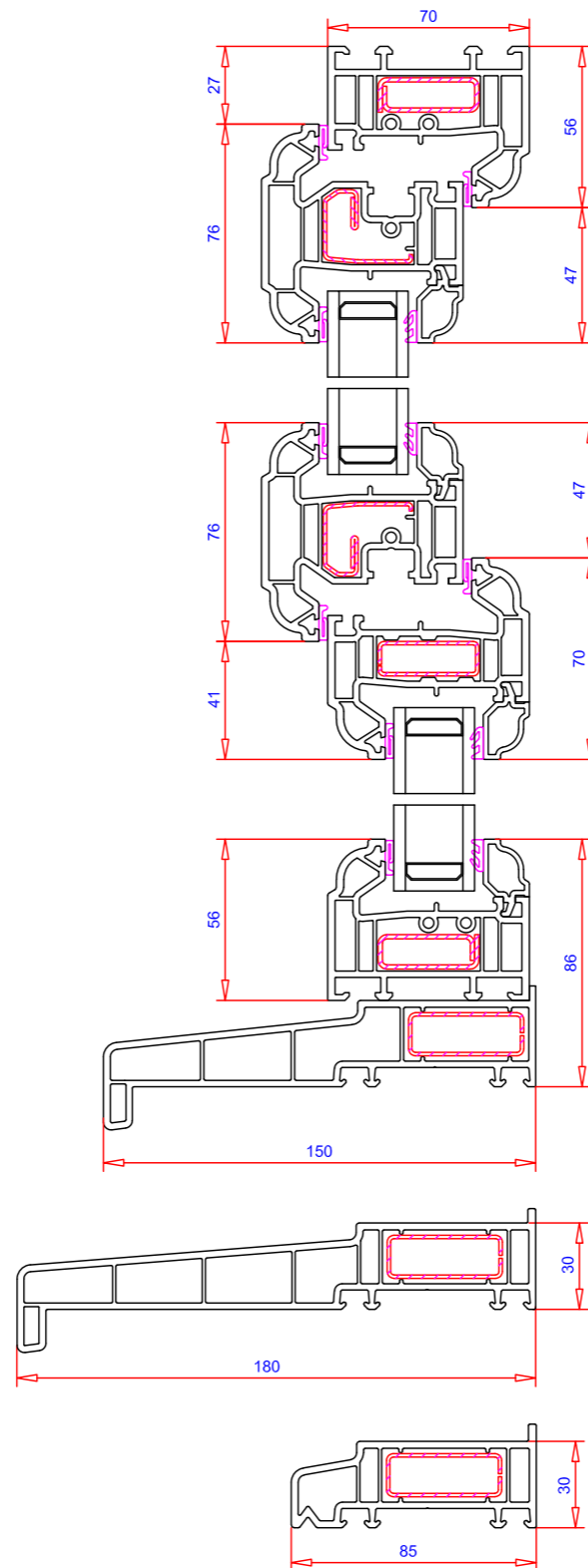
Frame extensions, cills and weathering trims
Range of coupling options
Range of bay pole options

Thermal performance*

Achieves U-values as low as 1.3 W/m²K using double glazing
Achieves U-values as low as 0.95 W/m²K using triple glazing

* Figures can vary dependent on specification.

Technical Drawing



Test Results

Window type	Max sash sizes (wxh)	Air permeability	Water tightness	Resistance to wind	Exposure category
Top hung reinforced	1400mm x 1400mm	Class 3	Class 7A	A3	1200
Side hung reinforced	800mm x 1550mm	Class 4	Class 8A	A4	1600
Fixed light part reinforced	3000mm x 3000mm	Class 4	Class E750	A4	1600