



Features

Maximum sash sizes

Residential door: 1122mm (w) x 2122mm (h)
French door: 1122mm (w) x 2122mm (h)

Outer frames

56mm[^], 72mm and 84mm outer frames
[^]as threshold only

Midrail

116mm midrail

Sash

110mm door sash

Finishes

Available in a large assortment of colours and woodgrain options from the Variations range and SPECTRAL*

Glazing beads

24mm sculptured
24mm bevelled
28mm sculptured
28mm bevelled
32mm sculptured
32mm bevelled
36mm bevelled
40mm bevelled

Ancillaries

Frame extensions, cills and weathering trims
Range of coupling options
Range of bay pole options

Thermal performance**

Achieves U-values as low as 1.3 W/m²K using double glazing
Achieves U-values as low as 1.1 W/m²K using triple glazing

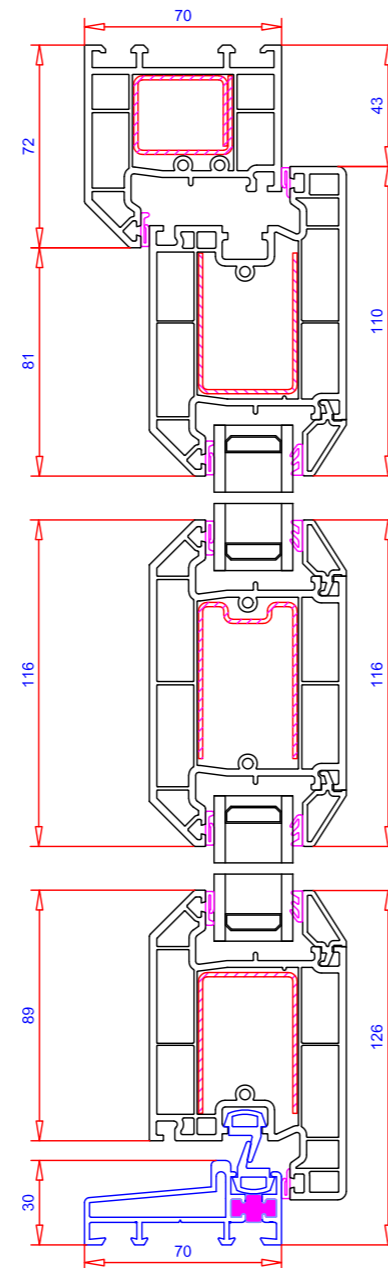
* SPECTRAL is only available on bevelled or flat surfaces.

** Figures can vary dependent on specification.

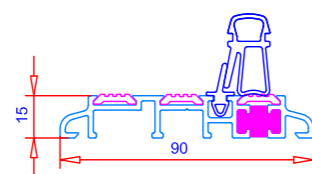
Note 1

Not available on French Doors

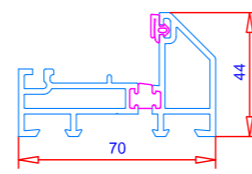
Technical Drawing



See Note 1



Part M Low Threshold
See Note 1



French Door Low Threshold



Test Results

Window type	Max sash sizes (wxh)	Air permeability	Water tightness	Resistance to wind	Exposure category
Single leaf	1122mm x 2122mm	Class 4	Class 7A	A3	1200
Single leaf AM3/5 threshold	1122mm x 2122mm	Class 2	Class 3A	A3	1200
Double leaf	1122mm x 2122mm	Class 3	Class 7A	A3	1200
Double leaf AM3/5 threshold	1122mm x 2122mm	Class 2	Class 3A	A3	1200