

Estimate Form - Guidance Notes

All requests to be passed to the ASM for checking and logging onto our system.

Please check the following:

Ensure all sections of the form are completed correctly. This will improve and increase the turn-around. All relevant information ie wind/live loads must be provided.

Providing correct information to Schueco will eliminate errors and reduce revision time.

Price Agreement Sheet	Complete all areas of sheet, not just profile and accessory prices. This eliminates all price issues. On large projects for example locking bar prices will have an impact.
Window, Façade Schedule	Drawn Schedule required, including all measurements, quantities and where joints are required on façade and ribbon Windows. Please do not forward tender documents.
Profile System Required	Provide a guide to the façade and window systems that you want to use, not a reference to the specification which does not contain the required information.
Glass overall thickness and breakdown	Provide as much detail as possible, without this information then 6/16/6 will be used without a U value. This will impact on items such as isolator and glazing bead.

Thank you for your co-operation.

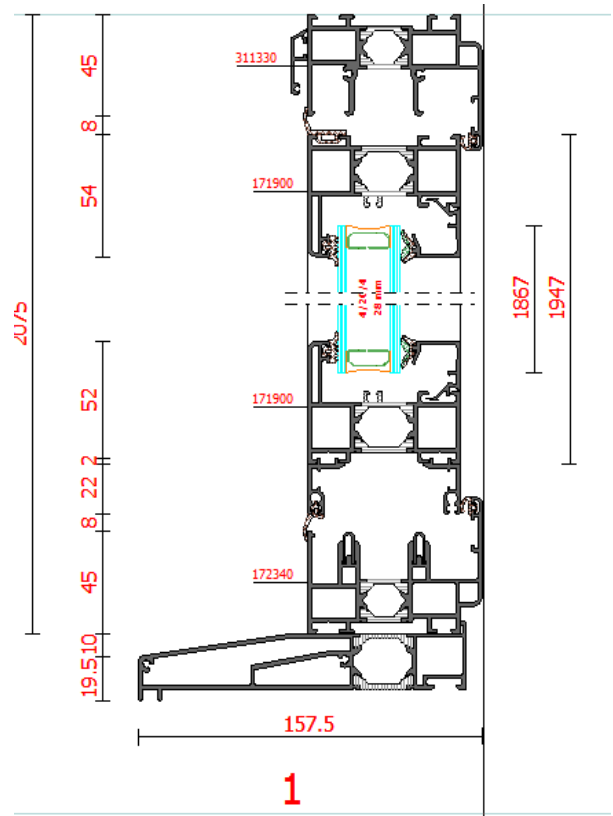
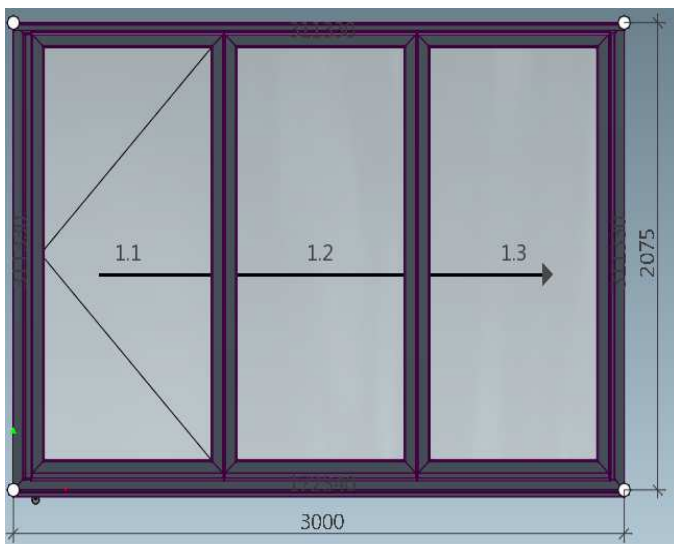
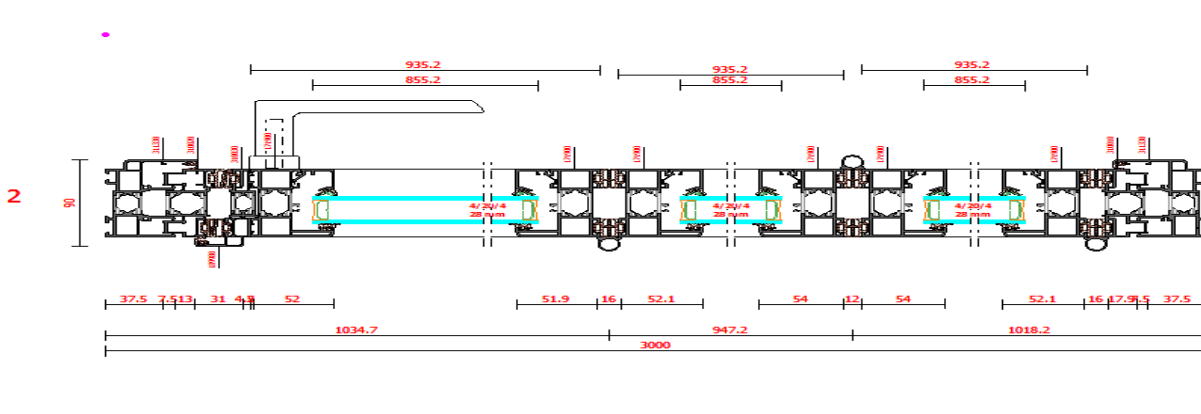
Neil Ubhi
Technical Administrator

SCHÜCO



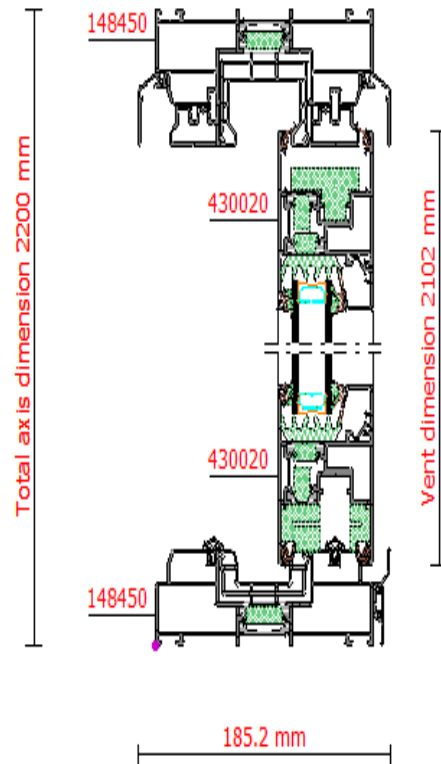
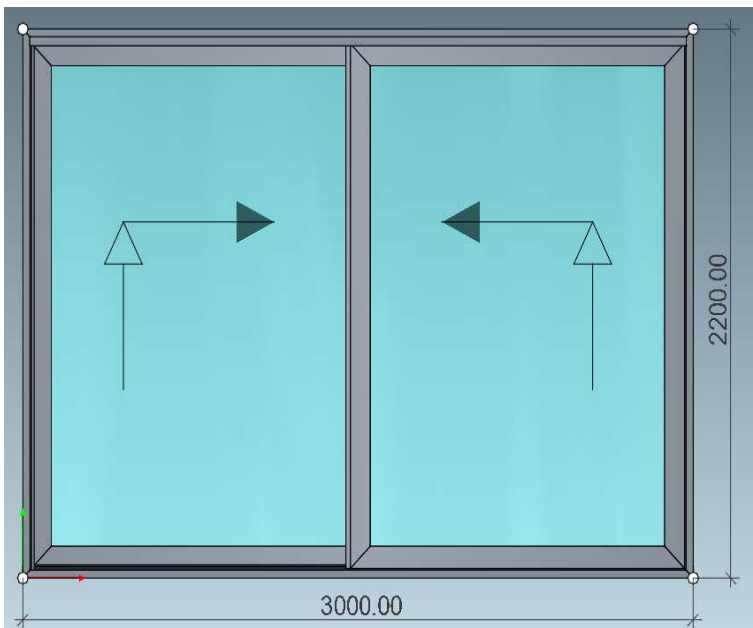
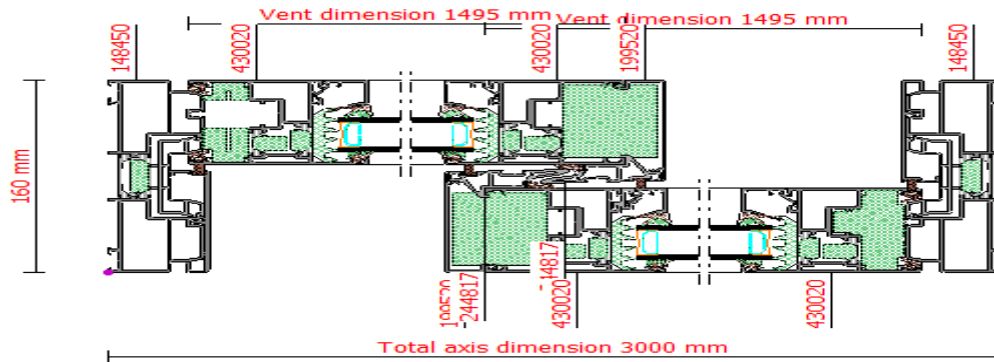
ASS 70 FD SAMPLE

TYPICAL CROSS SECTION DETAIL



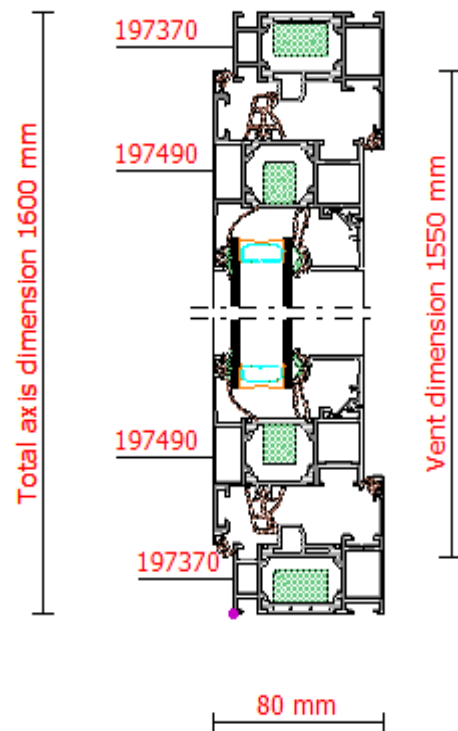
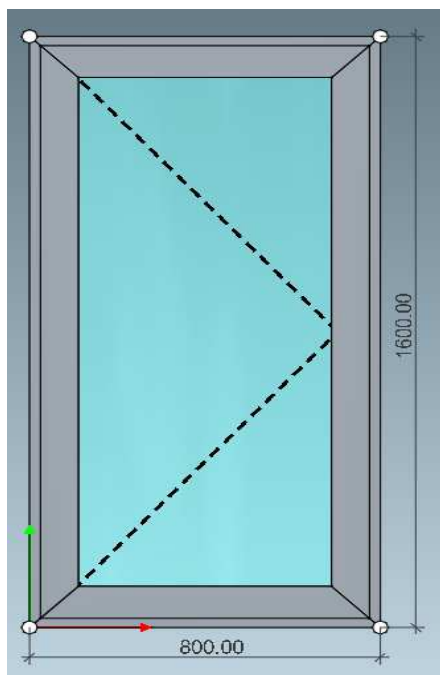
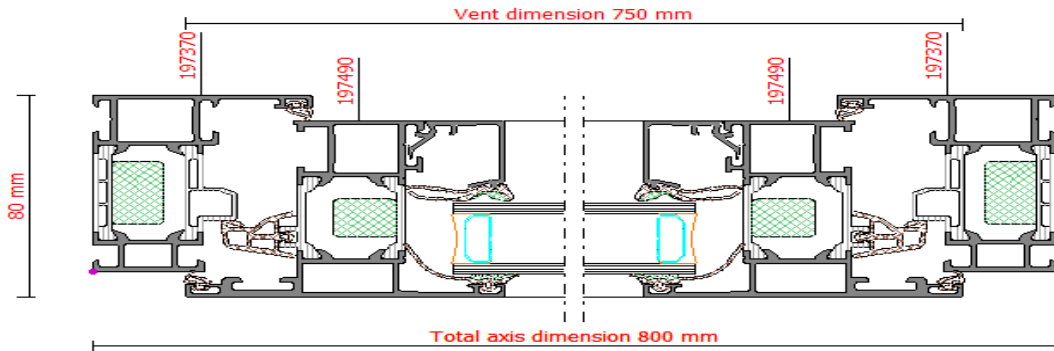
ASS 70 HI SAMPLE

TYPICAL CROSS SECTION DETAIL



AWS 70 HI SAMPLE

TYPICAL CROSS SECTION DETAIL



ADS 70 HI SAMPLE

TYPICAL CROSS SECTION DETAIL

